

A148	PASSERELLE BUS	RT46	SONDE DE TEMPERATURE ECONOMISEUR CIRCUIT A
A156	MODULE ENTREES/SORTIES	RT47	SONDE DE TEMPERATURE ECONOMISEUR CIRCUIT B
A2	AFFICHEUR	RT5	SONDE DE TEMPERATURE SORTIE EAU CONDENSEUR
A2A	MODULE MAITRE A MICROPROCESSEUR, CIRCUIT B	RT6	SONDE DE TEMPERATURE ENTREE EAU CONDENSEUR
A2C	MODULE COMMANDE, CONTROLE ET SECURITE COMPRESSEUR 1 CIRCUIT B	SL71	DETECTEUR NIVEAU D'HUILE CIRCUIT A
A4	MODULE ENTREES/SORTIES	SL72	DETECTEUR NIVEAU D'HUILE CIRCUIT B
BP1	TRANSDUCTEUR DE PRESSION REFOULEMENT CIRCUIT A	SP1F	PRESSOSTAT HAUTE PRESSION DE SECURITE COMPRESSEUR 1 CIRCUIT A
BP2	TRANSDUCTEUR DE PRESSION REFOULEMENT CIRCUIT B	SP1FA	PRESSOSTAT HAUTE PRESSION DE SECURITE COMPRESSEUR 1 CIRCUIT A
BP3	TRANSDUCTEUR DE PRESSION ASPIRATION CIRCUIT A	SP2F	PRESSOSTAT HAUTE PRESSION DE SECURITE COMPRESSEUR 1 CIRCUIT B
BP4	TRANSDUCTEUR DE PRESSION ASPIRATION CIRCUIT B	SP2FA	PRESSOSTAT HAUTE PRESSION DE SECURITE COMPRESSEUR 1 CIRCUIT B
BP71	TRANSDUCTEUR DE PRESSION HUILE COMPRESSEUR 1 CIRCUIT A	SP90F	DETECTEUR DEBIT EAU POMPE EVAPORATEUR
BP72	TRANSDUCTEUR DE PRESSION HUILE COMPRESSEUR 1 CIRCUIT B	SP95F	DETECTEUR DEBIT EAU CONDENSEUR
BP81	TRANSDUCTEUR DE PRESSION ECONOMISEUR	ST101F	TERMOSTAT DE SECURITE TEMPERATURE COFFRET ELECTRIQUE
BP82	TRANSDUCTEUR DE PRESSION ECONOMISEUR	ST102F	TERMOSTAT DE SECURITE TEMPERATURE COFFRET ELECTRIQUE
EC1(A1)	COMPRESSEUR 1 CIRCUIT A	TC	TRANSFORMATEUR CIRCUIT CONTROLE
EC2(B1)	COMPRESSEUR 1 CIRCUIT B	TC1	TRANSFORMATEUR CIRCUIT COMMANDE COMPRESSEUR 1 CIRCUIT A
ED1	DETENDEUR ELECTRONIQUE CIRCUIT A	TC2	TRANSFORMATEUR CIRCUIT COMMANDE COMPRESSEUR 1 CIRCUIT B
ED2	DETENDEUR ELECTRONIQUE CIRCUIT B	TI1	TRANSFORMATEUR D INTENSITE COMPRESSEUR 1 CIRCUIT A
ED81	DETENDEUR ELECTRONIQUE ECONOMISEUR CIRCUIT A	TI2	TRANSFORMATEUR D INTENSITE COMPRESSEUR 1 CIRCUIT B
ED82	DETENDEUR ELECTRONIQUE ECONOMISEUR CIRCUIT B	XS	PRISE DE COURANT
EV101	VENTILATION COFFRET CIRCUIT A	Y11	VANNE DE REGULATION DE PUISSANCE COMPRESSEUR 1 DU CIRCUIT A
EV102	VENTILATION COFFRET CIRCUIT B	Y12	VANNE DE REGULATION DE PUISSANCE COMPRESSEUR 1 DU CIRCUIT A
FT1	SONDE DE TEMPERATURE MOTEUR COMPRESSEUR 1 CIRCUIT A	Y21	VANNE DE REGULATION DE PUISSANCE COMPRESSEUR 1 DU CIRCUIT B
FT2	SONDE DE TEMPERATURE MOTEUR COMPRESSEUR 1 CIRCUIT B	Y22	VANNE DE REGULATION DE PUISSANCE COMPRESSEUR 1 DU CIRCUIT B
FU101	FUSIBLE CIRCUIT A	YV71	VANNE D'HUILE COMPRESSEUR 1 CIRCUIT A
FU102	FUSIBLE CIRCUIT B	YV72	VANNE D'HUILE COMPRESSEUR 1 CIRCUIT B
KM1	CONTACTEUR COMPRESSEUR 1 CIRCUIT A		
KM1D	CONTACTEUR TRIANGLE COMPRESSEUR 1 CIRCUIT A		
KM1Y	CONTACTEUR ETOILE COMPRESSEUR 1 CIRCUIT A	-	OPTIONS
KM2	CONTACTEUR COMPRESSEUR 1 CIRCUIT B		SONDE COMMUNE EAU FROIDE (DUPLEX)
KM2D	CONTACTEUR TRIANGLE COMPRESSEUR 1 CIRCUIT B		ALIMENTATION PUISSANCE CLIENT SUR BORNIER
KM2Y	CONTACTEUR ETOILE COMPRESSEUR 1 CIRCUIT B		RACCORDEMENT ALIM. PUISSANCE EN UN SEUL POINT
KM90	CONTACTEUR POMPE EVAPORATEUR		FUSIBLE SUR EMBASE SANS SECTIONNEUR
KM90A	CONTACTEUR POMPE AUXILIAIRE EVAPORATEUR		COMMANDE POMPE SIMPLE EVAPORATEUR
KM95	CONTACTEUR POMPE CONDENSEUR		COMMANDE POMPE DOUBLE EVAPORATEUR
PE	TERRE		COMMANDE POMPE SIMPLE CONDENSEUR
QF1	DISJONCTEUR CIRCUIT CONTROLE COMPRESSEUR		DISPOSITIF DE CONTROLE FROID
QF2	DISJONCTEUR CIRCUIT CONTROLE COMPRESSEUR		PASSERELLE LON
QFA	DISJONCTEUR AUXILIAIRE CIRCUIT CONTROLE		PASSERELLE BACNET
QM90	DISJONCTEUR PROTECTION POMPE A EAU EVAPORATEUR		UNITE HAUTE CONDENSATION
QM95	DISJONCTEUR PROTECTION POMPE A EAU CONDENSEUR		COMMANDE 0-10V VANNE EAU CLIENT
QS101	INTERRUPTEUR GENERAL CIRCUIT A		MODULE GESTION ENERGIE
QS102	INTERRUPTEUR GENERAL CIRCUIT B		DETECTION FUITE REFRIGERANT
RT1	SONDE DE TEMPERATURE SORTIE EAU EVAPORATEUR		PRISE DE SERVICE 230VAC
RT100	SONDE DE TEMPERATURE SORTIE EAU COMMUNE EVAPORATEUR		CONSIGNE AJUSTABLE PAR SIGNAL 4-20ma
RT2	SONDE DE TEMPERATURE ENTREE EAU EVAPORATEUR		GESTION AERO FREE COOLING
RT31	SONDE DE TEMPERATURE ASPIRATION CIRCUIT A		
RT32	SONDE DE TEMPERATURE ASPIRATION CIRCUIT B		

RACCORDEMENTS CONTROLE CLIENT

- 1 (A1A DI01) MARCHE / ARRÊT A DISTANCE
- 2 (A1A DI02) SÉLECTION DE CONSIGNE
- 3 (A1A DI03) LIMITATION DE PUISSANCE
- 4 (A1A DI04) COMMANDE CHAUD/FROID A DISTANCE
- 5 (A1A AI10) DECALAGE POINT DE CONSIGNE
- 6 (A1A A001) COMMANDE 0-10V VANNE EAU CLIENT
- 7 (A1A D005) SORTIE RELAIS POUR ALARME
- 8 (A1A D006) SORTIE RELAIS CHILLER EN FONCTIONNEMENT
- 9 (A4 AI13) RETOUR INFO DETECTION FUITE REFRIGERANT
- 10 (A4 AI14) RETOUR INFO DETECTION FUITE REFRIGERANT
- 11 (A156 DI01) FORCAGE MODE OCCUPE
- 12 (A156 DI02) DEMANDE LIMITE 2
- 13 (A156 DI03) ASSERVISSEMENT CLIENT
- 14 (A156 DI04) CONTROLE STOCKAGE EAU GLACEE
- 15 (A156 AI01) SONDE DE TEMPERATURE AMBIANTE
- 16 (A156 DI10) LIMITATION DE CAPACITE ANALOGIQUE
- 17 (A156 A001) LIMITATION DE CAPACITE (0-10V)
- 18 (A156 D001) COMPRESSEUR A EN FONCTIONNEMENT
- 19 (A156 D002) COMPRESSEUR B EN FONCTIONNEMENT
- 20 (A156 D004) SORTIE RELAIS CHILLER EN MARCHÉ OU PRÊT A FONCTIONNER
- 21 (A156 D005) SORTIE RELAIS POUR ALERTE
- 22 (A156 D006) SORTIE RELAIS CHILLER ARRÊTE

SCHEMA SIMPLIFIE
SIMPLIFIED WIRING
VEREINFACHTES SCHEMA

SEMPLIFICATI COLLEGAMENTI
SIMPLIFICADO CABLEDO

LWST / LWHE
708 -> 4628



05-06-2018

1

00DCG000337100

A

A148	BUS BOARD	RT46	ECONOMIZER TEMPERATURE SENSOR, CIRCUIT A
A156	INPUT/OUTPUT MODULE	RT47	ECONOMIZER TEMPERATURE SENSOR, CIRCUIT B
A2	DISPLAY	RT5	CONDENSER LEAVING WATER TEMPERATURE SENSOR
A2A	MICROPROCESSOR-BASED MASTER MODULE, CIRCUIT B	RT6	CONDENSER ENTERING WATER TEMPERATURE SENSOR
A2C	COMPRESSOR 1 MONITORING, CONTROL AND SAFETY MODULE, CIRCUIT B	SL71	OIL LEVEL DETECTOR, CIRCUIT A
A4	INPUT/OUTPUT MODULE	SL72	OIL LEVEL DETECTOR, CIRCUIT B
BP1	DISCHARGE PRESSURE TRANSDUCER, CIRCUIT A	SP1F	HIGH PRESSURE SAFETY SWITCH, COMPRESSOR 1, CIRCUIT A
BP2	DISCHARGE PRESSURE TRANSDUCER, CIRCUIT B	SP1FA	HIGH PRESSURE SAFETY SWITCH, COMPRESSOR 1, CIRCUIT A
BP3	SUCTION PRESSURE TRANSDUCER, CIRCUIT A	SP2F	HIGH PRESSURE SAFETY SWITCH, COMPRESSOR 1, CIRCUIT B
BP4	SUCTION PRESSURE TRANSDUCER, CIRCUIT B	SP2FA	HIGH PRESSURE SAFETY SWITCH, COMPRESSOR 1, CIRCUIT B
BP71	OIL PRESSURE TRANSDUCER, COMPRESSOR 1, CIRCUIT A	SP90F	EVAPORATOR PUMP FLOW SWITCH
BP72	OIL PRESSURE TRANSDUCER, COMPRESSOR 1, CIRCUIT B	SP95F	CONDENSER WATER FLOW SWITCH
BP81	ECONOMIZER PRESSURE TRANSDUCER	ST101F	ELECTRICAL BOX SAFETY THERMOSTAT
BP82	ECONOMIZER PRESSURE TRANSDUCER	ST102F	ELECTRICAL BOX SAFETY THERMOSTAT
EC1(A1)	COMPRESSOR 1, CIRCUIT A	TC	CONTROL CIRCUIT TRANSFORMER
EC2(B1)	COMPRESSOR 1, CIRCUIT B	TC1	CONTROL CIRCUIT TRANSFORMER, COMPRESSOR 1, CIRCUIT A
ED1	ELECTRONIC EXPANSION VALVE, CIRCUIT A	TC2	CONTROL CIRCUIT TRANSFORMER, COMPRESSOR 1, CIRCUIT B
ED2	ELECTRONIC EXPANSION VALVE, CIRCUIT B	TI1	CURRENT TRANSFORMER, COMPRESSOR 1, CIRCUIT A
ED81	ELECTRONIC EXPANSION VALVE ECONOMIZER, CIRCUIT A	TI2	CURRENT TRANSFORMER, COMPRESSOR 1, CIRCUIT B
ED82	ELECTRONIC EXPANSION VALVE ECONOMIZER, CIRCUIT B	XS	PLUG
EV101	ELECTRICAL BOX FAN CIRCUIT A	Y11	CAPACITY CONTROL VALVE , COMPRESSOR 1, CIRCUIT A
EV102	ELECTRICAL BOX FAN CIRCUIT B	Y12	CAPACITY CONTROL VALVE , COMPRESSOR 1, CIRCUIT A
FT1	COMPRESSOR MOTOR TEMPERATURE SENSOR, COMPRESSOR 1, CIRCUIT A	Y21	CAPACITY CONTROL VALVE , COMPRESSOR 1, CIRCUIT B
FT2	COMPRESSOR MOTOR TEMPERATURE SENSOR, COMPRESSOR 1, CIRCUIT B	Y22	CAPACITY CONTROL VALVE , COMPRESSOR 1, CIRCUIT B
FU101	FUSE, CIRCUIT A	YV71	OIL VALVE, COMPRESSOR 1, CIRCUIT A
FU102	FUSE, CIRCUIT B	YV72	OIL VALVE, COMPRESSOR 1, CIRCUIT B
KM1	CONTACTOR, COMPRESSOR 1, CIRCUIT A		
KM1D	DELTA CONTACTOR, COMPRESSOR 1, CIRCUIT A		
KM1Y	STAR CONTACTOR, COMPRESSOR 1, CIRCUIT A	-	OPTION
KM2	CONTACTOR, COMPRESSOR 1, CIRCUIT B		
KM2D	DELTA CONTACTOR, COMPRESSOR 1, CIRCUIT B		DUPLEXING
KM2Y	STAR CONTACTOR, COMPRESSOR 1, CIRCUIT B		TERMINAL BLOCK FOR CUSTOMER POWER SUPPLY
KM90	EVAPORATOR PUMP CONTACTOR		SINGLE POINT POWER CONNECTION
KM90A	AUXILIARY EVAPORATOR PUMP CONTACTOR		FUSES ON FUSE BLOCK
KM95	CONDENSER PUMP CONTACTOR		EVAPORATEUR HYDRONIC KIT FOR SINGLE PUMP
PE	GROUND		EVAPORATEUR HYDRONIC KIT FOR TWIN PUMP
QF1	CIRCUIT BREAKER, CONTROL CIRCUIT, COMPRESSOR		CONDENSOR HYDRONIC KIT FOR SINGLE PUMP
QF2	CIRCUIT BREAKER, CONTROL CIRCUIT, COMPRESSOR		COOLING CONTROL DEVICE
QFA	AUXILIARY CIRCUIT BREAKER, CONTROL CIRCUIT		LON GATEWAY
QM90	EVAPORATOR WATER PUMP CIRCUIT BREAKER		BACNET GATEWAY
QM95	CONDENSER WATER PUMP CIRCUIT BREAKER		HIGH SDT UNIT
QS101	GENERAL DISCONNECT SWITCH, CIRCUIT A		CONDENSER CUSTOMER WATER VALVE CONTROLE, 0-10V
QS102	GENERAL DISCONNECT SWITCH, CIRCUIT B		ENERGY MANAGEMENT MODULE
RT1	EVAPORATOR LEAVING WATER TEMPERATURE SENSOR		LEAK DETECTION SENSOR
RT100	EVAPORATOR COMMUN LEAVING WATER TEMPERATURE SENSOR		230VAC POWER FOR SERVICE
RT2	EVAPORATOR ENTERING WATER TEMPERATURE SENSOR		SETPOINT ADJUSTABLE BY 4-20mA
RT31	SUCTION TEMPERATURE SENSOR, CIRCUIT A		FREE COOLING DRY COOLER MANAGEMENT
RT32	SUCTION TEMPERATURE SENSOR, CIRCUIT B		

CONTROL CONNECTIONS

- 1 (A1A DI01) REMOTE ON / OFF
- 2 (A1A DI02) 2 SETPOINTS
- 3 (A1A DI03) DEMAND LIMIT
- 4 (A1A DI04) REMOTE HEAT/COOL
- 5 (A1A AI10) SETPOINT RESET CONTROL
- 6 (A1A A001) CONDENSER CUSTOMER WATER VALVE CONTROL 0-10V
- 7 (A1A D005) ALARM
- 8 (A1A D006) CHILLER RUNNING (CAPACITY > 0%)
- 9 (A4 AI13) LEAK DETECTION FEEDBACK
- 10 (A4 AI13) LEAK DETECTION FEEDBACK
- 11 (A156 DI01)OCCUPANCY OVERRIDE
- 12 (A156 DI02)CAPACITY LIMIT INPUT #2
- 13 (A156 DI03)CUSTOMER INTERLOCK
- 14 (A156 DI04)ICE DONE
- 15 (A156 AI01)SPACE TEMPERATURE FOR RESET CONTROL
- 16 (A156 DI10)CAPACITY LIMIT CONTROL
- 17 (A156 A001)CHILLER CAPACITY RUNNING OUTPUT (0-10V)
- 18 (A156 D001)COMPRESSOR A RUNNING STATUS
- 19 (A156 D002)COMPRESSOR B RUNNING STATUS
- 20 (A156 D004)CHILLER RUNNING OR READY TO RUN
- 21 (A156 D006)ALERT
- 22 (A156 D005)CHILLER TOTALY SHUTDOWN

SCHEMA SIMPLIFIE
SIMPLIFIED WIRING
VEREINFACHTES SCHEMA

SEMPLIFICATI COLLEGAMENTI
SIMPLIFICADO CABLEDO

LWST / LWHE
708 -> 4628



05-06-2018

2

00DCG000337100

A

A148 SCHEDA BUS
 A156 MODULO D'ENTRATE/USCITE
 A2 DISPLAY
 A2A MODULO PRINCIPALE A MICROPROCESSORE, CIRCUITO B
 A2C MODULO DI MONITORAGGIO, CONTROLLO E SICUREZZA DEL COMPRESSORE 1, CIRCUITO B
 A4 MODULO D'ENTRATE/USCITE
 BP1 TRASDUTTORE DELLA PRESSIONE DI MANDATA, CIRCUITO A
 BP2 TRASDUTTORE DELLA PRESSIONE DI MANDATA, CIRCUITO B
 BP3 TRASDUTTORE DELLA PRESSIONE DI ASPIRAZIONE. CIRCUITO A
 BP4 TRASDUTTORE DELLA PRESSIONE DI ASPIRAZIONE. CIRCUITO B
 BP71 TRASDUTTORE DELLA PRESSIONE DELL'OLIO, COMPRESSORE 1, CIRCUITO A
 BP72 TRASDUTTORE DELLA PRESSIONE DELL'OLIO, COMPRESSORE 1, CIRCUITO B
 BP81 TRASDUTTORE DELLA PRESSIONE DELL'ECONOMIZZATORE
 BP82 TRASDUTTORE DELLA PRESSIONE DELL'ECONOMIZZATORE
 EC1(A1) COMPRESSORE 1, CIRCUITO A
 EC2(B1) COMPRESSORE 1, CIRCUITO B
 ED1 VALVOLA ELETTRONICA D'ESPANSIONE, CIRCUITO A
 ED2 VALVOLA ELETTRONICA D'ESPANSIONE, CIRCUITO B
 ED81 VALVOLA ELETTRONICA D'ESPANSIONE DELL'ECONOMIZZATORE, CIRCUITO A
 ED82 VALVOLA ELETTRONICA D'ESPANSIONE DELL'ECONOMIZZATORE, CIRCUITO B
 EV101 VENTILATORE DEL QUADRO ELETTRICO
 EV102 VENTILATORE DEL QUADRO ELETTRICO
 FT1 SENSORE DELLA TEMPERATURA DEL MOTORE DEL COMPRESSORE, COMPRESSORE 1, CIRCUITO A
 FT2 SENSORE DELLA TEMPERATURA DEL MOTORE DEL COMPRESSORE, COMPRESSORE 1, CIRCUITO B
 FU101 FUSIBILE, CIRCUITO A
 FU102 FUSIBILE, CIRCUITO B
 KM1 TELERUTTORE, COMPRESSORE 1, CIRCUITO A
 KM1D TELERUTTORE TRIANGOLO, COMPRESSORE 1, CIRCUITO A
 KM1Y TELERUTTORE STELLA, COMPRESSORE 1, CIRCUITO A
 KM2 TELERUTTORE, COMPRESSORE 1, CIRCUITO B
 KM2D TELERUTTORE TRIANGOLO, COMPRESSORE 1, CIRCUITO B
 KM2Y TELERUTTORE STELLA, COMPRESSORE 1, CIRCUITO B
 KM90 TELERUTTORE DELLA POMPA DELL'EVAPORATORE
 KM90A TELERUTTORE POMPA EVAPORATORE
 KM95 TELERUTTORE DELLA POMPA DEL CONDENSATORE
 PE TERRA
 QF1 INTERRUTTORE MAGNETOTERMICO, CIRCUITO DI CONTROLLO, COMPRESSORE
 QF2 INTERRUTTORE MAGNETOTERMICO, CIRCUITO DI CONTROLLO, COMPRESSORE
 QFA MAGNETOTERMICO CIRCUITO DI CONTROLLO
 QM90 MAGNETOTERMICO DEL VENTILATORE DELLA POMPA ACQUA EVAPORATORE
 QM95 MAGNETOTERMICO DEL VENTILATORE DELLA POMPA ACQUA CONDENSATORE
 QS101 SEZIONATORE GENERALE, CIRCUITO A
 QS102 SEZIONATORE GENERALE, CIRCUITO B
 RT1 SONDA DI TEMPERATURA ACQUA USCITA EVAPORATORE
 RT100 SENSORE ACQUA IN USCITA COMUNE (MASTER/SLAVE)
 RT2 SONDA DI TEMPERATURA ACQUA ENTRATA EVAPORATORE
 RT31 SENSORE TEMPERATURA ASPIRAZIONE CIRCUITO A
 RT32 SENSORE TEMPERATURA ASPIRAZIONE CIRCUITO B

RT46 SENSORE TEMPERATURA ECONOMIZZATORE CIRCUITO A
 RT47 SENSORE TEMPERATURA ECONOMIZZATORE CIRCUITO B
 RT5 SONDA DI TEMPERATURA ACQUA USCITA EVAPORATORE
 RT6 SONDA DI TEMPERATURA ACQUA ENTRATA CONDENSATORE
 SL71 RILEVATORE DEL LIVELLO DELL'OLIO, CIRCUITO A
 SL72 RILEVATORE DEL LIVELLO DELL'OLIO, CIRCUITO B
 SP1F PRESSOSTATO DI ALTA, COMPRESSORE 1, CIRCUITO A
 SP1FA PRESSOSTATO DI ALTA, COMPRESSORE 1, CIRCUITO A
 SP2F PRESSOSTATO DI ALTA, COMPRESSORE 1, CIRCUITO B
 SP2FA PRESSOSTATO DI ALTA, COMPRESSORE 1, CIRCUITO B
 SP90F FLUSSOSTATO POMPA EVAPORATORE
 SP95F FLUSSOSTATO POMPA CONDENSATORE
 ST101F TERMOSTATO SICUREZZA QUADRO ELETTRICO
 ST102F TERMOSTATO SICUREZZA QUADRO ELETTRICO
 TC TRASFORMATORE DEL CIRCUITO DI CONTROLLO
 TC1 TRASFORMATORE DEL CIRCUITO DI CONTROLLO, COMPRESSORE 1, CIRCUITO A
 TC2 TRASFORMATORE DEL CIRCUITO DI CONTROLLO, COMPRESSORE 1, CIRCUITO B
 TI1 TRASFORMATORE DI CORRENTE, COMPRESSORE 1, CIRCUITO A
 TI2 TRASFORMATORE DI CORRENTE, COMPRESSORE 1, CIRCUITO B
 XS SPINA
 Y11 VALVOLA CONTROLLA CAPACITA', COMPRESSORE 1, CIRCUITO A
 Y12 VALVOLA CONTROLLA CAPACITA', COMPRESSORE 1, CIRCUITO A
 Y21 VALVOLA CONTROLLA CAPACITA', COMPRESSORE 1, CIRCUITO B
 Y22 VALVOLA CONTROLLA CAPACITA', COMPRESSORE 1, CIRCUITO B
 YV71 VALVOLA DELL'OLIO, COMPRESSORE 1, CIRCUITO A
 YV72 VALVOLA DELL'OLIO, COMPRESSORE 1, CIRCUITO B

- OPZIONE
 PREDISPOSIZIONE PER DUPLEX
 MORSETTIERA CLIENTE PER ALIMENTAZIONE
 SINGOLO PUNTO D'ALIMENTAZIONE ELETTRICA
 FUSIBILI SU PORTAFUSIBILI
 AVVIATORE PER POMPA ACQUA REFRIGERATA (SINGOLA)
 AVVIATORE PER POMPA ACQUA REFRIGERATA (DOPPIA)
 AVVIATORE PER POMPA ACQUA RECUPERO
 *
 CCN LON CON USCITA LEI
 CCN BACNET CON USCITA LEI
 ALTA TEMPERATURA DI CONDENSAZIONE
 CONTROLLO VALVOLA ACQUA CONDENSATORE
 ENERGY MANAGEMENT MODULE
 *
 *
 SET-POINT REGOLABILE TRAMITE SEGNALE 4-20mA
 GESTIONE AERO FREE COOLING

SCHEMA SIMPLIFIE
 SIMPLIFIED WIRING
 VEREINFACHTES SCHEMA

SEMPLIFICATI COLLEGAMENTI
 SIMPLIFICADO CABLEDO

LWST / LWHE
 708 -> 4628



05-06-2018

3

00DCG000337100

A

A148 TARJETA BUS
 A156 MODULO DE ENTRADAS/SALIDAS
 A2 PANTALLA
 A2A MODULO PRINCIPAL BASADO EN MICROPROCESADOR, CIRCUITO B
 A2C MODULO DE MONITORIZACION, CONTROL Y SEGURIDAD DEL COMPRESOR 1, CIRCUITO B
 A4 MODULO DE ENTRADAS/SALIDAS
 BP1 TRANSDUCTOR DE PRESION DE DESCARGA, CIRCUITO A
 BP2 TRANSDUCTOR DE PRESION DE DESCARGA, CIRCUITO B
 BP3 TRANSDUCTOR DE PRESION DE ASPIRACION, CIRCUITO A
 BP4 TRANSDUCTOR DE PRESION DE ASPIRACION, CIRCUITO B
 BP71 TRANSDUCTOR DE PRESION DE ACEITE DEL COMPRESOR 1, CIRCUITO A
 BP72 TRANSDUCTOR DE PRESION DE ACEITE DEL COMPRESOR 1, CIRCUITO B
 BP81 TRANSDUCTOR DE PRESION DEL ECONOMIZADOR
 BP82 TRANSDUCTOR DE PRESION DEL ECONOMIZADOR
 EC1(A1) COMPRESOR 1, CIRCUITO A
 EC2(B1) COMPRESOR 1, CIRCUITO B
 ED1 VALVULA DE EXPANSION ELECTRONICA, CIRCUITO A
 ED2 VALVULA DE EXPANSION ELECTRONICA, CIRCUITO B
 ED81 VALVULA DE EXPANSION ELECTRONICA DEL ECONOMIZADOR, CIRCUITO A
 ED82 VALVULA DE EXPANSION ELECTRONICA DEL ECONOMIZADOR, CIRCUITO B
 EV101 VENTILADOR DE LA CAJA ELECTRICA
 EV102 VENTILADOR DE LA CAJA ELECTRICA
 FT1 SENSOR DE TEMPERATURA DEL MOTOR DEL COMPRESOR 1, CIRCUITO A
 FT2 SENSOR DE TEMPERATURA DEL MOTOR DEL COMPRESOR 1, CIRCUITO B
 FU101 FUSIBLE, CIRCUITO A
 FU102 FUSIBLE, CIRCUITO B
 KM1 CONTACTOR, COMPRESOR 1, CIRCUITO A
 KM1D CONTACTOR DE ARRANQUE EN TRIANGULO, COMPRESOR 1, CIRCUITO A
 KM1Y CONTACTOR DE ARRANQUE EN ESTRELLA, COMPRESOR 1, CIRCUITO A
 KM2 CONTACTOR, COMPRESOR 1, CIRCUITO B
 KM2D CONTACTOR DE ARRANQUE EN TRIANGULO, COMPRESOR 1, CIRCUITO B
 KM2Y CONTACTOR DE ARRANQUE EN ESTRELLA, COMPRESOR 1, CIRCUITO B
 KM90 CONTACTOR DE LA BOMBA DEL EVAPORADOR
 KM90A CONTACTOR DE LA BOMBA AUXILIAR DEL EVAPORADOR
 KM95 CONTACTOR DE LA BOMBA DEL CONDENSADOR
 PE TIERRA
 QF1 INTERRUPTOR DEL CIRCUITO DE CONTROL, COMPRESOR
 QF2 INTERRUPTOR DEL CIRCUITO DE CONTROL, COMPRESOR
 QFA INTERRUPTOR AUXILIAR, CIRCUITO DE CONTROL
 QM90 INTERRUPTOR DE LA BOMBA DE AGUA DEL EVAPORADOR
 QM95 INTERRUPTOR DE LA BOMBA DE AGUA DEL CONDENSADOR
 QS101 SECCIONADOR GENERAL, CIRCUITO A
 QS102 SECCIONADOR GENERAL, CIRCUITO B
 RT1 SENSOR DE LA TEMPERATURA DE SALIDA DEL AGUA DEL EVAPORADOR
 RT100 SENSOR DE TEMPERATURA DE LA SALIDA COMUN DE AGUA DEL EVAPORADOR
 RT2 SENSOR DE LA TEMPERATURA DE ENTRADA DEL AGUA EN EL EVAPORADOR
 RT31 SENSOR DE TEMPERATURA DE SUCCION, CIRCUITO A
 RT32 SENSOR DE TEMPERATURA DE SUCCION, CIRCUITO B


RT46 SENSOR DE TEMPERATURA DEL ECONOMIZADOR, CIRCUITO A
 RT47 SENSOR DE TEMPERATURA DEL ECONOMIZADOR, CIRCUITO B
 RT5 SENSOR DE LA TEMPERATURA DE SALIDA DEL AGUA DEL CONDENSADOR
 RT6 SENSOR DE LA TEMPERATURA DE ENTRADA DEL AGUA EN EL CONDENSADOR
 SL71 DETECTOR DE NIVEL DE ACEITE, CIRCUITO A
 SL72 DETECTOR DE NIVEL DE ACEITE, CIRCUITO B
 SP1F PRESOSTATO DE SEGURIDAD DE ALTA, COMPRESOR 1, CIRCUITO A
 SP1FA PRESOSTATO DE SEGURIDAD DE ALTA, COMPRESOR 1, CIRCUITO A
 SP2F PRESOSTATO DE SEGURIDAD DE ALTA, COMPRESOR 1, CIRCUITO B
 SP2FA PRESOSTATO DE SEGURIDAD DE ALTA, COMPRESOR 1, CIRCUITO B
 SP90F INTERRUPTOR DE FLUJO DE AGUA DE LA BOMBA DEL EVAPORADOR
 SP95F INTERRUPTOR DE FLUJO DE AGUA DEL CONDENSADOR
 ST101F TERMOSTATO DE SEGURIDAD EN CAJA ELECTRICA
 ST102F TERMOSTATO DE SEGURIDAD EN CAJA ELECTRICA
 TC TRANSFORMADOR DEL CIRCUITO DE CONTROL
 TC1 TRANSFORMADOR DEL CIRCUITO DE CONTROL, COMPRESOR 1, CIRCUITO A
 TC2 TRANSFORMADOR DEL CIRCUITO DE CONTROL, COMPRESOR 1, CIRCUITO B
 TI1 TRANSFORMADOR DE INTENSIDAD, COMPRESOR 1, CIRCUITO A
 TI2 TRANSFORMADOR DE INTENSIDAD, COMPRESOR 1, CIRCUITO B
 XS CONECTOR MACHO
 Y11 VÁLVULA PARA CONTROL DE CAPACIDAD, COMPRESOR 1, CIRCUITO A
 Y12 VÁLVULA PARA CONTROL DE CAPACIDAD, COMPRESOR 1, CIRCUITO A
 Y21 VÁLVULA PARA CONTROL DE CAPACIDAD, COMPRESOR 1, CIRCUITO B
 Y22 VÁLVULA PARA CONTROL DE CAPACIDAD, COMPRESOR 1, CIRCUITO B
 YV71 VALVULA DE ACEITE, COMPRESOR 1, CIRCUITO A
 YV72 VALVULA DE ACEITE, COMPRESOR 1, CIRCUITO B

- OPCION
 UNIDAD DUPLEX
 BLOQUE DE TERMINALES PARA ALIMENTACION CLIENTE
 ALIMENTACION ELECTRICA MEDIANTE CONEXION UNICA
 FUSIBLES EN BLOQUE FUSIBLES
 ARRANCADOR DE LA BOMBA DEL EVAPORATOR (UNA SOLA BOMBA)
 ARRANCADOR DE LA BOMBA DEL EVAPORATOR (DOBLE)
 ARRANCADOR DE LA BOMBA DEL CONDENSADOR
 *
 OPCION COMUNICACION LON
 OPCION COMUNICACION BACNET
 UNIDAD PARA ALTA TEMPERATURA DE CONDENSACION
 TARJETA CONTROL DE LA VALVULA DE AGUA DEL CONDENSADOR
 MODULO DE GESTION DE ENERGIA
 *
 *
 CONSIGNA AJUSTABLE MEDIANTE SENAL 4-20ma
 GESTION DEL REFRIGERADOR POR AIRE FREE COOLING

SCHEMA SIMPLIFIE
 SIMPLIFIED WIRING
 VEREINFACHTES SCHEMA

SEMPLIFICATI COLLEGAMENTI
 SIMPLIFICADO CABLEDO

LWST / LWHE
 708 -> 4628

	05-06-2018	4
00DCG000337100		A

A148	BUS SCHNITTSTELLE RS232/RS485	RT46	TEMPERATUR SENSOR ECONOMIZER; KREIS A
A156	EIN-/AUSGANGS-MODUL 4AI/2AO	RT47	TEMPERATUR SENSOR ECONOMIZER; KREIS B
A2	BEDIENUNGS- UND ANZEIGE-MODUL	RT5	TEMPERATURFUEHLER VERFLUESSIGER-KUEHLWASSER-AUSTRITT
A2A	HAUPTMODUL, KREISLAUF B	RT6	TEMPERATURFUEHLER VERFLUESSIGER-KUEHLWASSER-EINTRITT
A2C	UEBERWACHUNGS-, REGULUNGS- UND SICHERHEITSMODUL, VERDICHTER 1, KREISLAUF B	SL71	FUEHLER OELSTAND, KREISLAUF A
A4	EIN-/AUSGANGS-MODUL 4AI/2AO	SL72	FUEHLER OELSTAND, KREISLAUF B
BP1	MESSWANDLER VERDICHTUNGSDRUCK, KREISLAUF A	SP1F	HOCHDRUCK-SICHERHEITS-SCHALTER, VERDICHTER 1, KREISLAUF A
BP2	MESSWANDLER VERDICHTUNGSDRUCK, KREISLAUF B	SP1FA	HOCHDRUCK-SICHERHEITS-SCHALTER, VERDICHTER 1, KREISLAUF A
BP3	MESSWANDLER SAUGDRUCK, KREISLAUF A	SP2F	HOCHDRUCK-SICHERHEITS-SCHALTER, VERDICHTER 1, KREISLAUF B
BP4	MESSWANDLER SAUGDRUCK, KREISLAUF B	SP2FA	HOCHDRUCK-SICHERHEITS-SCHALTER, VERDICHTER 1, KREISLAUF B
BP71	MESSWANDLER OELDRUCK, VERDICHTER 1, KREISLAUF A	SP90F	STROEMUNGSWAECHTER KALTWASSER
BP72	MESSWANDLER OELDRUCK, VERDICHTER 1, KREISLAUF B	SP95F	STROEMUNGSWAECHTER KUEHLWASSER
BP81	MESSWANDLER ECONOMIZERDRUCK	ST101F	SICHERHEITSTHERMOSTAT SCHALTSCHRANKTEMPERATUR
BP82	MESSWANDLER ECONOMIZERDRUCK	ST102F	SICHERHEITSTHERMOSTAT SCHALTSCHRANKTEMPERATUR
EC1(A1)	VERDICHTER 1, KREISLAUF A	TC	TRANSFORMATOR STEUERSTROMKREIS
EC2(B1)	VERDICHTER 1, KREISLAUF B	TC1	TRANSFORMATOR STEUERSTROMKREIS, VERDICHTER 1, KREISLAUF A
ED1	ELEKTRONISCHES EXPANSIONSVENTIL, KREISLAUF A	TC2	TRANSFORMATOR STEUERSTROMKREIS, VERDICHTER 1, KREISLAUF B
ED2	ELEKTRONISCHES EXPANSIONSVENTIL, KREISLAUF B	TI1	STROMWANDLER, VERDICHTER 1, KREISLAUF A
ED81	EXV ECONOMIZER; KREIS A	TI2	STROMWANDLER, VERDICHTER 1, KREISLAUF B
ED82	EXV ECONOMIZER; KREIS B	XS	STECKER
EV101	SCHALTSCHRANK VENTILATOR	Y11	MAGNETVENTIL LEISTUNGSREGELUNG , VERDICHTER 1, KREISLAUF A
EV102	SCHALTSCHRANK VENTILATOR	Y12	MAGNETVENTIL LEISTUNGSREGELUNG , VERDICHTER 1, KREISLAUF A
FT1	TEMPERATURFUEHLER VERDICHTER-MOTORWICKLUNG, VERDICHTER 1, KREISLAUF A	Y21	MAGNETVENTIL LEISTUNGSREGELUNG , VERDICHTER 1, KREISLAUF B
FT2	TEMPERATURFUEHLER VERDICHTER-MOTORWICKLUNG, VERDICHTER 1, KREISLAUF B	Y22	MAGNETVENTIL LEISTUNGSREGELUNG , VERDICHTER 1, KREISLAUF B
FU101	SICHERUNG, KREISLAUF A	YV71	OELVENTIL, VERDICHTER 1, KREISLAUF A
FU102	SICHERUNG, KREISLAUF B	YV72	OELVENTIL, VERDICHTER 1, KREISLAUF B
KM1	SCHUETZ, VERDICHTER 1, KREISLAUF A		
KM1D	DREIECK-SCHUETZ; VERDICHTER 1, KREISLAUF A		
KM1Y	STERN-SCHUETZ, VERDICHTER 1, KREISLAUF A		
KM2	SCHUETZ, VERDICHTER 1, KREISLAUF B		
KM2D	DREIECK-SCHUETZ; VERDICHTER 1, KREISLAUF B		
KM2Y	STERN-SCHUETZ, VERDICHTER 1, KREISLAUF B		
KM90	SCHUETZ VERDAMPFERPUMPE		
KM90A	SCHUTZ VERDAMPFER PUMPE		
KM95	SCHUETZ VERFLUESSIGERPUMPE		
PE	ERDUNG		
QF1	SCHUTZSCHALTER, STEUERSTROMKREIS, VERDICHTER		
QF2	SCHUTZSCHALTER, STEUERSTROMKREIS, VERDICHTER		
QFA	SCHUTZSCHALTER STEUERSPANNUNG		
QM90	SCHUTZSCHALTER KALTWASSERPUMPE		
QM95	SCHUTZSCHALTER KUEHLWASSERPUMPE		
QS101	HAUPT-TRENNSCHALTER, KREISLAUF A		
QS102	HAUPT-TRENNSCHALTER, KREISLAUF B		
RT1	TEMPERATURFUEHLER VERDAMPFER-KALTWASSER-AUSTRITT		
RT100	FUHLER GEMEINSAME KALTWASSERAUSTRITTS-TEMPERATUR		
RT2	TEMPERATURFUEHLER VERDAMPFER-KALTWASSER-EINTRITT		
RT31	TEMPERATUR SENSOR SAUGGAS, KREIS A		
RT32	TEMPERATUR SENSOR SAUGGAS, KREIS B		

- OPTION

DUPLEXING

ANSCHLUBKLEMMENBLOCK KUNDENSEITIGE KRAFTSTROMVERSORGUNG

EINSPEISUNG EINPHASIG

SICHERUNGEN AUF SICHERUNGSBLOCK

LEISTUNGSTEIL KALTWASSER PUMPE (EINZEL)

LEISTUNGSTEIL KALTWASSER PUMPE (DOPPEL)

LEISTUNGSTEIL KUEHLWASSER PUMPE

*

LON GATEWAY

BACNET GATEWAY

GERAT FUR HOHE KONDENSATIONSTEMPERATUR

REGELSIGNAL FUER ANSTEUERUNG KUEHLWASSERVENTIL

ENERGIE MANAGEMENT MODUL

*

*


SOLLWERT EINSTELLBAR UBER 4-20mA SIGNAL

FREE COOLING-TROCKENKUEHLERSTEUERUNG

SCHEMA SIMPLIFIE
SIMPLIFIED WIRING
VEREINFACHTES SCHEMA

SEMPPLICATI COLLEGAMENTI
SIMPLIFICADO CABLEDO

LWST / LWHE
708 -> 4628

	05-06-2018	5
00DCG000337100		A

A148 .
 A156 INGANG/UITGANG MODULE
 A2 DISPLAY
 A2A BASISPRINT, CIRCUIT B
 A2C AANSTURINGS- EN BEVEILIGINGSMODULE COMPRESSOR 1, CIRCUIT B
 A4 INGANG/UITGANG MODULE
 BP1 PERSDRUK OPNEMER, CIRCUIT A
 BP2 PERSDRUK OPNEMER, CIRCUIT B
 BP3 ZUIGDRUK OPNEMER, CIRCUIT A
 BP4 ZUIGDRUK OPNEMER, CIRCUIT B
 BP71 OLIEDRUK OPNEMER, COMPRESSOR 1, CIRCUIT A
 BP72 OLIEDRUK OPNEMER, COMPRESSOR 1, CIRCUIT B
 BP81 DRUKOPNEMER ECONOMIZER
 BP82 DRUKOPNEMER ECONOMIZER
 EC1(A1) COMPRESSOR 1, CIRCUIT A
 EC2(B1) COMPRESSOR 1, CIRCUIT B
 ED1 ELEKTRONISCH EXPANSIEVENTIEL, CIRCUIT A
 ED2 ELEKTRONISCH EXPANSIEVENTIEL, CIRCUIT B
 ED81 ELEKTRONISCH EXPANSIEVENTIEL ECONOMIZER, CIRCUIT A
 ED82 ELEKTRONISCH EXPANSIEVENTIEL ECONOMIZER, CIRCUIT B
 EV101
 EV102
 FT1 MOTORTEMPERatuur OPNEMER COMPRESSOR 1, CIRCUIT A
 FT2 MOTORTEMPERatuur OPNEMER COMPRESSOR 1, CIRCUIT B
 FU101 ZEKERING, CIRCUIT A
 FU102 ZEKERING, CIRCUIT B
 KM1 MAGNEETSCHAKELAAR COMPRESSOR 1, CIRCUIT A
 KM1D DRIEHOEK MAGNEETSCHAKELAAR, COMPRESSOR 1, CIRCUIT A
 KM1Y STER MAGNEETSCHAKELAAR, COMPRESSOR 1, CIRCUIT A
 KM2 MAGNEETSCHAKELAAR COMPRESSOR 1, CIRCUIT B
 KM2D DRIEHOEK MAGNEETSCHAKELAAR, COMPRESSOR 1, CIRCUIT B
 KM2Y STER MAGNEETSCHAKELAAR, COMPRESSOR 1, CIRCUIT B
 KM90 MAGNEETSCHAKELAAR KOELERPOMP
 KM90A MAGNEETSCHAKELAAR EXTERNE GEKOELD WATER POMP
 KM95 MAGNEETSCHAKELAAR CONDENSORPOMP
 PE AARDE
 QF1 CIRCUIT BREAKER STUURSTROOM COMPRESSOR
 QF2 CIRCUIT BREAKER STUURSTROOM COMPRESSOR
 QFA .
 QM90 CIRCUIT BREAKER GEKOELDWATERPOMP
 QM95 CIRCUIT BREAKER CONDENSORWATERPOMP
 QS101 ALGEHELE HOOFDSCHAKELAAR, CIRCUIT A
 QS102 ALGEHELE HOOFDSCHAKELAAR, CIRCUIT B
 RT1 TEMPERATUROPNEMER GEKOELDWATER UITTREDE
 RT100 .
 RT2 TEMPERATUROPNEMER GEKOELDWATER INTREDE
 RT31 TEMPERatuur OPNEMER ZUIGGAS, CIRCUIT A
 RT32 TEMPERatuur OPNEMER ZUIGGAS, CIRCUIT B


RT46 TEMPERATUROPNEMER ECONOMISER, CIRCUIT A
 RT47 TEMPERATUROPNEMER ECONOMISER, CIRCUIT B
 RT5 TEMPERATUROPNEMER CONDENSORWATER UITTREDE
 RT6 TEMPERATUROPNEMER CONDENSORWATER INTREDE
 SL71 OLIELEVEL OPNEMER, CIRCUIT A
 SL72 OLIELEVEL OPNEMER, CIRCUIT B
 SP1F HOGEDRUKBEVEILIGING, COMPRESSOR 1, CIRCUIT A
 SP1FA HOGEDRUKBEVEILIGING, COMPRESSOR 1, CIRCUIT A
 SP2F HOGEDRUKBEVEILIGING, COMPRESSOR 1, CIRCUIT B
 SP2FA HOGEDRUKBEVEILIGING, COMPRESSOR 1, CIRCUIT B
 SP90F GEKOELD WATER STROMINGSBEVEILIGING
 SP95F .
 ST101F .
 ST102F .
 TC TRANSFORMATOR STUURSTROOMCIRCUIT
 TC1 TRANSFORMATOR STUURSTROOMCIRCUIT, COMPRESSOR 1, CIRCUIT A
 TC2 TRANSFORMATOR STUURSTROOMCIRCUIT, COMPRESSOR 1, CIRCUIT B
 TI1 STROOMTRAFO, COMPRESSOR 1, CIRCUIT A
 TI2 STROOMTRAFO, COMPRESSOR 1, CIRCUIT B
 XS STEKKER
 Y11 CAPACITEITSKLEP, COMPRESSOR 1, CIRCUIT A
 Y12 CAPACITEITSKLEP, COMPRESSOR 1, CIRCUIT A
 Y21 CAPACITEITSKLEP, COMPRESSOR 1, CIRCUIT B
 Y22 CAPACITEITSKLEP, COMPRESSOR 1, CIRCUIT B
 YV71 OLIE MAGNEETKLEP, COMPRESSOR 1, CIRCUIT A
 YV72 OLIE MAGNEETKLEP, COMPRESSOR 1, CIRCUIT B

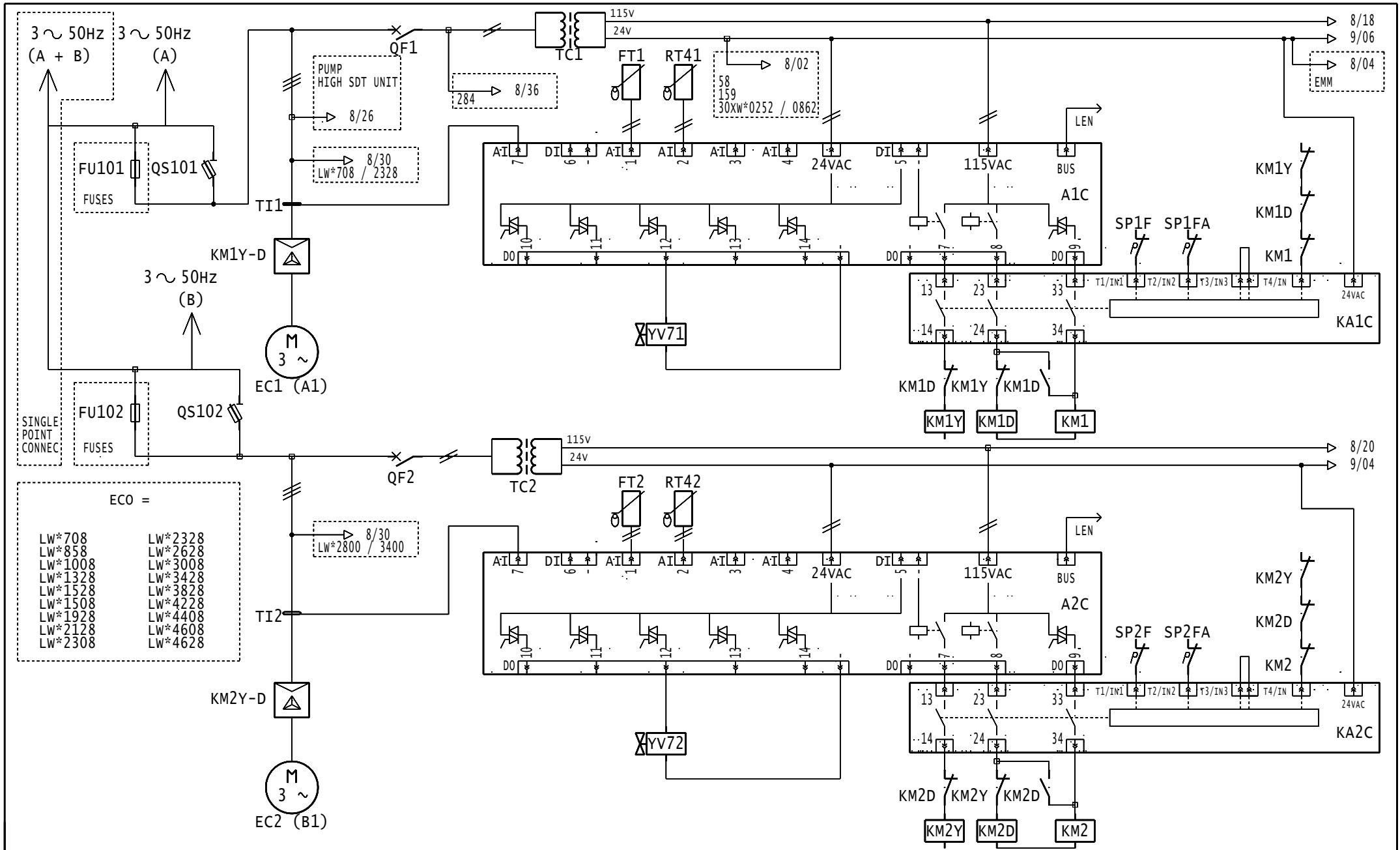
- OPTION
 *
 *
 ENKELVOUDIGE HOOFDSTROOM AANSLUITING
 MESPATRONEN MET HOUDER
 SCHAKELING GEKOELD WATER POMP (ENKEL)
 SCHAKELING GEKOELD WATER POMP (DUBBEL)
 SCHAKELING WARMETERUGWINNING CONDENSOR POMP
 *
 LON GATEWAY
 BACNET GATEWAY
 UNITS HOGE CONDENSATIETEMP
 *
 ENERGIE MANAGEMENT MODULE
 *
 *
 SETPOINT ADJUSTABLE BY 4-20mA
 FREE COOLING DRY COOLER MANAGEMENT

SCHEMA SIMPLIFIE
 SIMPLIFIED WIRING
 VEREINFACHTES SCHEMA

SEMPLIFICATI COLLEGAMENTI
 SIMPLIFICADO CABLEDO

LWST / LWHE
 708 -> 4628

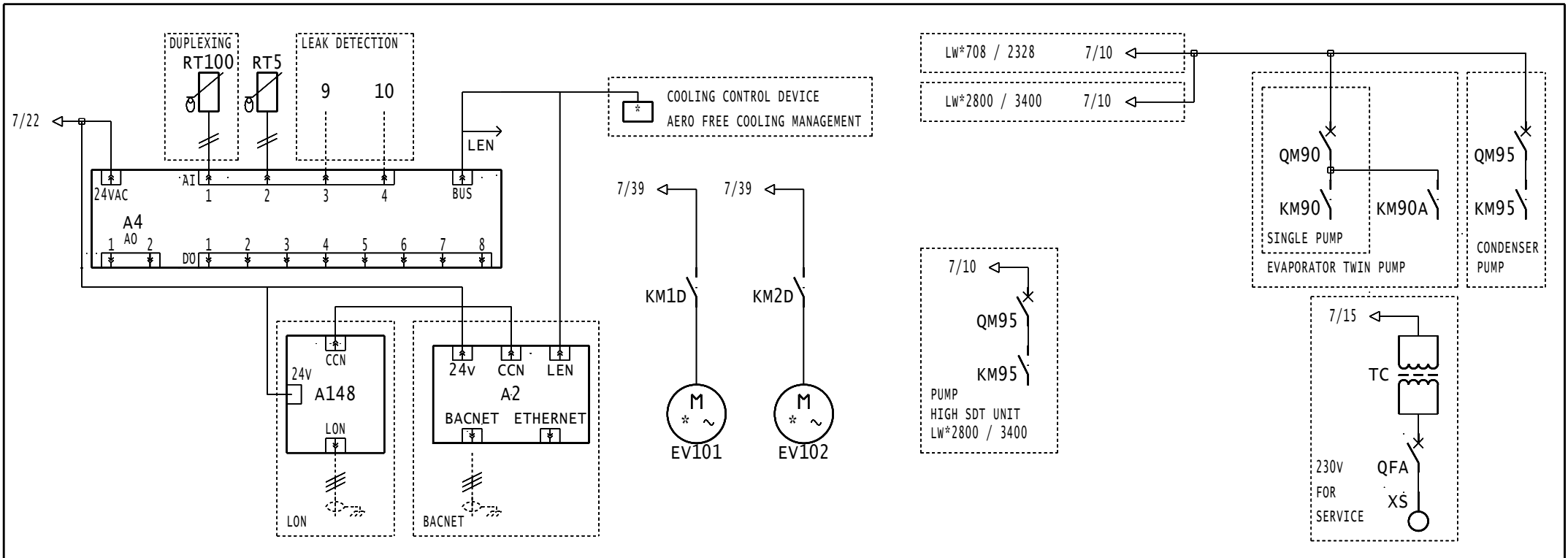
	05-06-2018	6
00DCG000337100		A



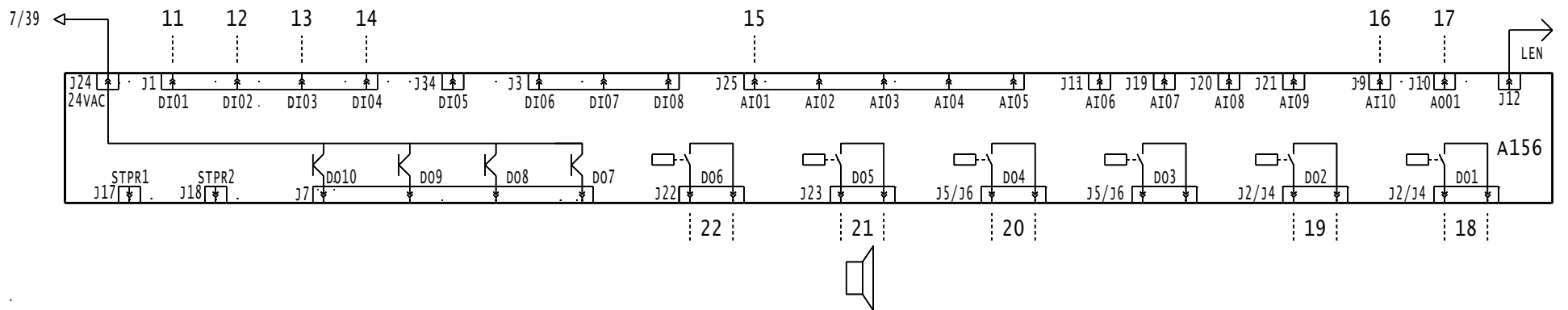
SINGLE
POINT
CONNEC:

- ECO =
- | | |
|---------|---------|
| LW*708 | LW*2328 |
| LW*858 | LW*2628 |
| LW*1008 | LW*3008 |
| LW*1328 | LW*3428 |
| LW*1528 | LW*3828 |
| LW*1508 | LW*4228 |
| LW*1928 | LW*4408 |
| LW*2128 | LW*4608 |
| LW*2308 | LW*4628 |

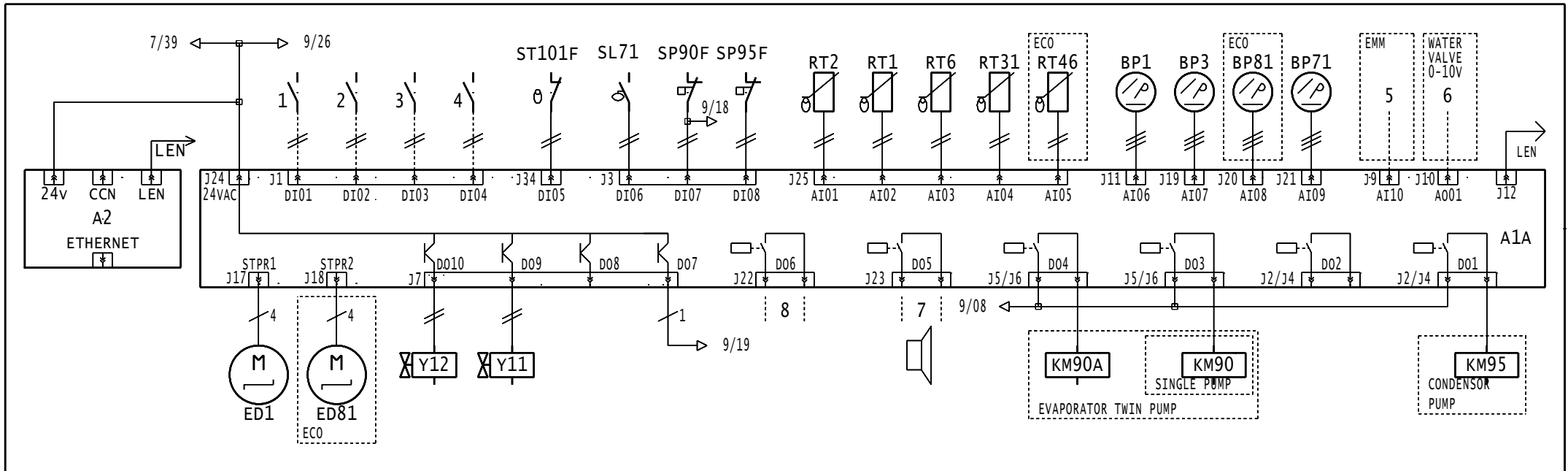
01	02	03	04	05	06	07	08	09	10	11	12	13	14	15	16	17	18	19	20	21	22	23	24	25	26	27	28	29	30	31	32	33	34	35	36	37	38	39	40
SCHEMA SIMPLIFIE SIMPLIFIED WIRING VEREINFACHTES SCHEMA												SEMPLICATI COLLEGAMENTI SIMPLIFICADO CABLEDO												LWST / LWHE 708 -> 4628						05-06-2018		7							
00DCG000337100																																A							



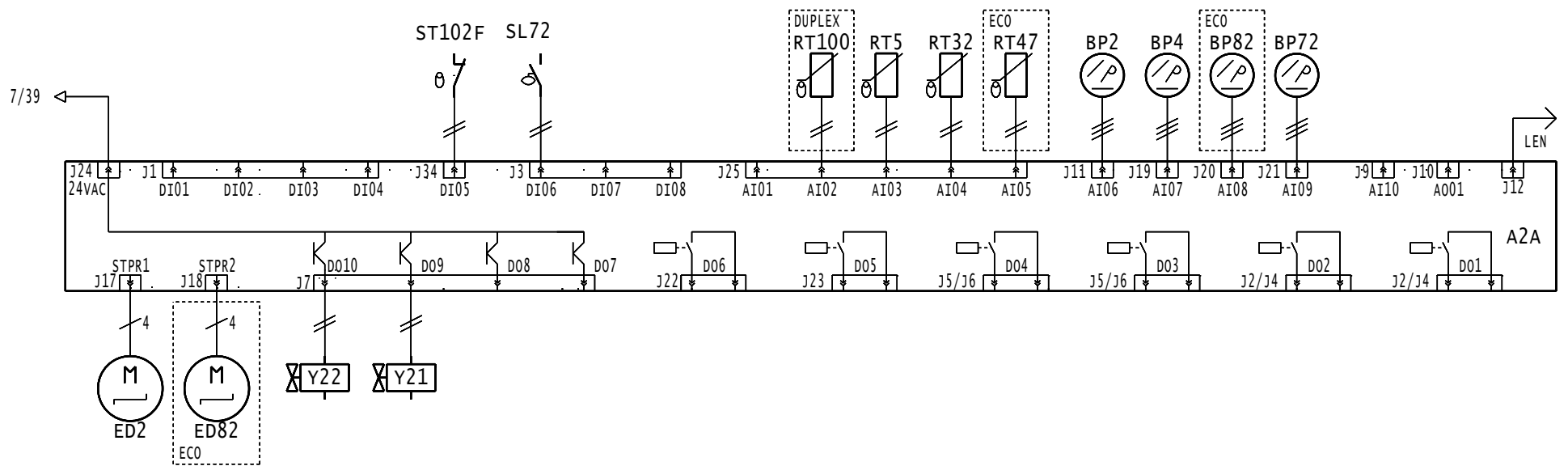
ENERGY MANAGEMENT MODULE




01	02	03	04	05	06	07	08	09	10	11	12	13	14	15	16	17	18	19	20	21	22	23	24	25	26	27	28	29	30	31	32	33	34	35	36	37	38	39	40					
SCHEMA SIMPLIFIE SIMPLIFIED WIRING VEREINFACHTES SCHEMA															SEMPPLICATI COLLEGAMENTI SIMPLIFICADO CABLEDO															LWST / LWHE 708 -> 4628					05-06-2018 00DCG000337100					8 A				



BI CKT - LW*2800 - 4608



01	02	03	04	05	06	07	08	09	10	11	12	13	14	15	16	17	18	19	20	21	22	23	24	25	26	27	28	29	30	31	32	33	34	35	36	37	38	39	40						
SCHEMA SIMPLIFIE SIMPLIFIED WIRING VEREINFACHTES SCHEMA																SEMPPLICATI COLLEGAMENTI SIMPLIFICADO CABLEDO														LWST / LWHE 708 -> 4628										 05-06-2018					9
00DCG000337100																																			A										